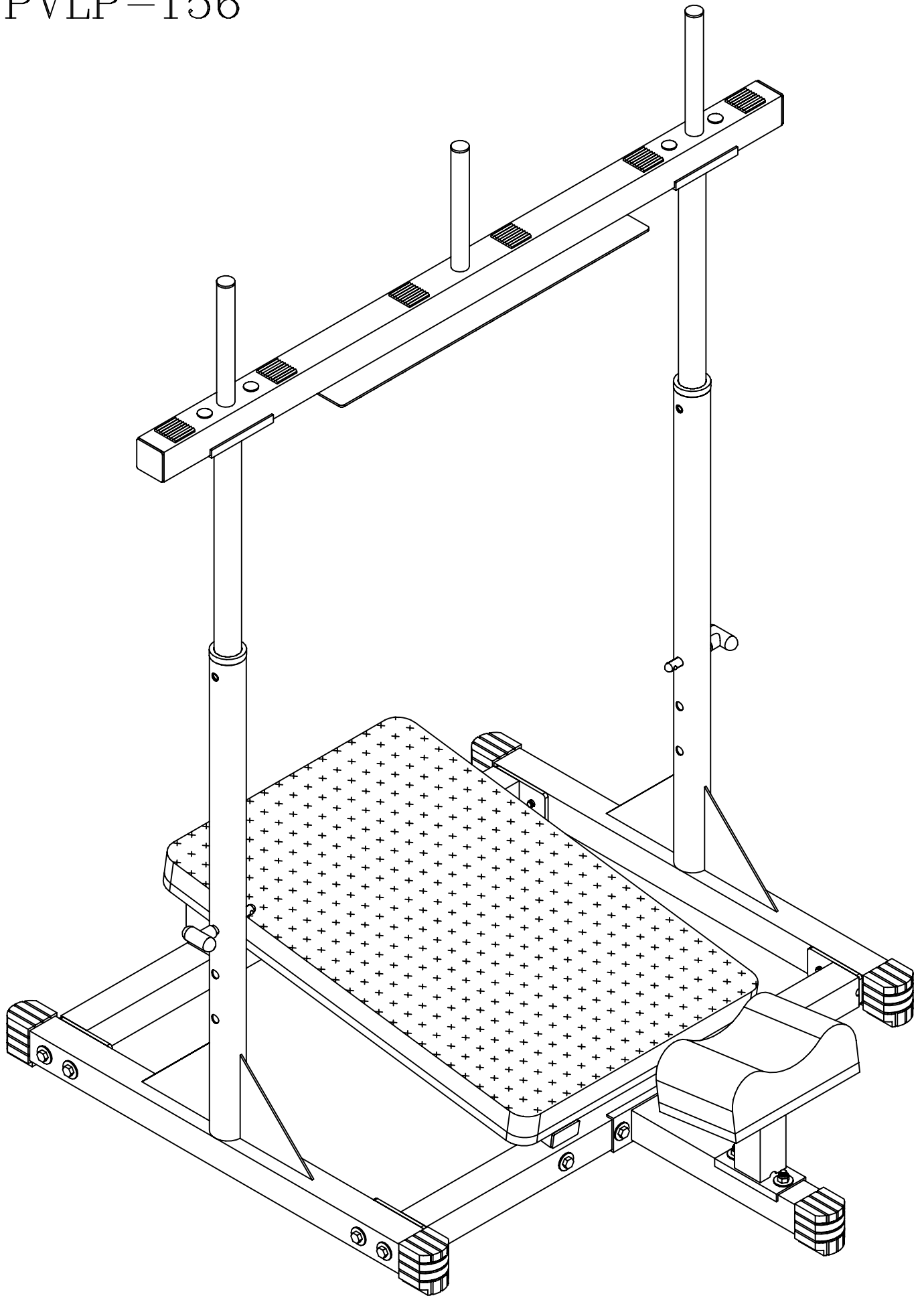


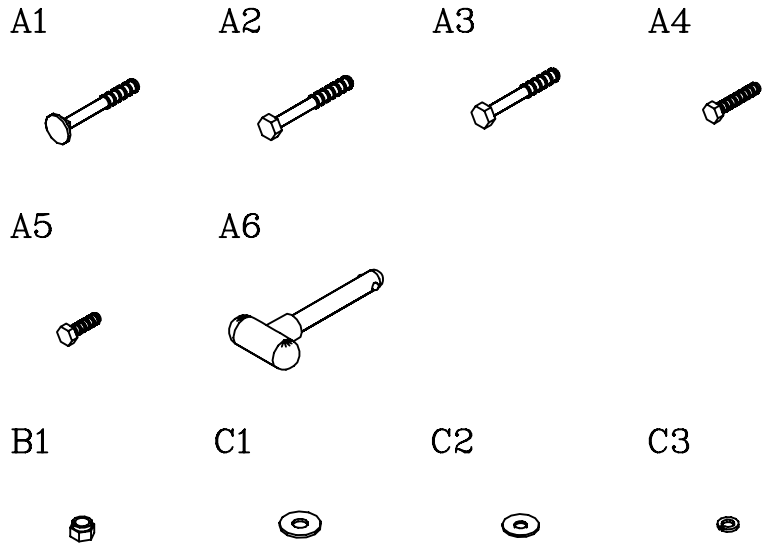
PVLP-156



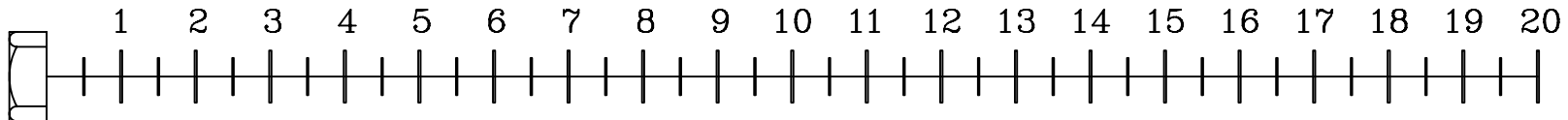
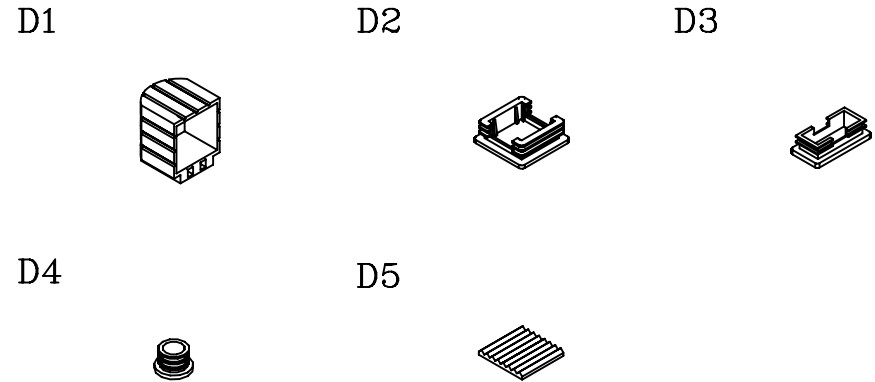
VERSION 0210

PVLP-156 HARDWARE ILLUSTRATION SHEET

- | | Qty. |
|---------------------------------------|---------|
| A1. M10X70 CARRIAGE BOLT _____ | [6PCS] |
| A2. M10X70 HEX HEAD BOLT _____ | [6PCS] |
| A3. M10X65 HEX HEAD BOLT _____ | [8PCS] |
| A4. M8X45 HEX HEAD BOLT _____ | [4PCS] |
| A5. M8X25 HEX HEAD BOLT _____ | [4PCS] |
| A6. ϕ 12X70 PIN (8250-044) _____ | [2PCS] |
| B1. M10 NYLON LOCK NUT _____ | [12PCS] |
| C1. M10 (I.D)WASHER _____ | [24PCS] |
| C2. M8 (I.D)WASHER _____ | [8PCS] |
| C3. M8 SPRING WASHER _____ | [8PCS] |

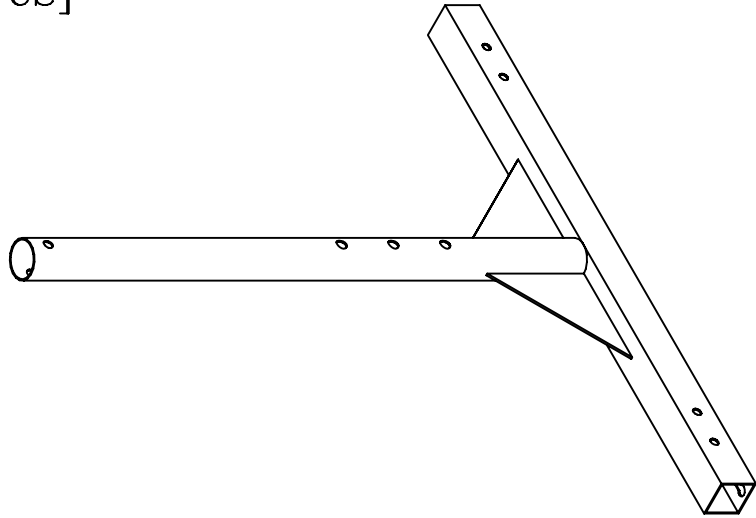


- | | Qty. |
|--|--------|
| D1. 2"X2" FOOT CAP (9212-003) _____ | [5PCS] |
| D2. 2"X2"X2.5t END CAP (9211-006) _____ | [2PCS] |
| D3. 1"X2" END CAP (9211-009) _____ | [4PCS] |
| D4. ϕ 1" ROUND END CAP (9211-016) _____ | [3PCS] |
| D5. 38X38 RUBBER BAR CATCH (9310-001) _____ | [6PCS] |

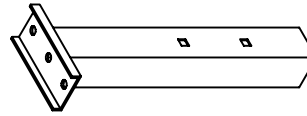


PVLP-156 PARTS ILLUSTRATION SHEET

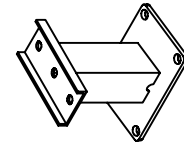
A [2PCS]



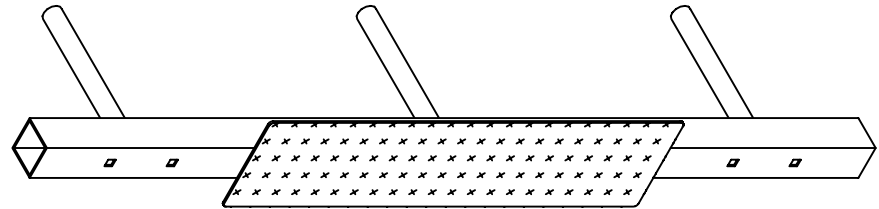
F [1PCS]



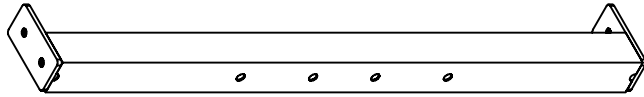
G [1PCS]



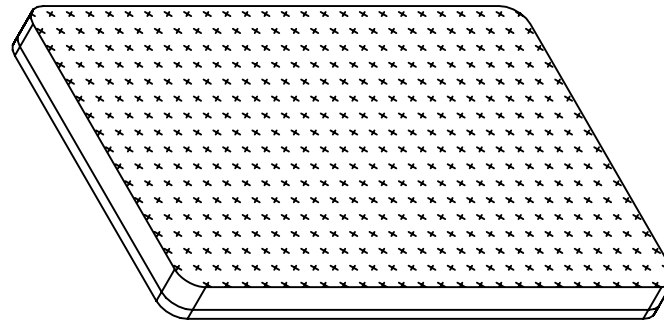
H [1PCS]



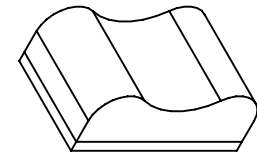
B [1PCS]



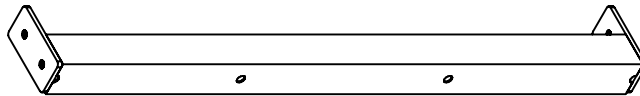
I [1PCS]



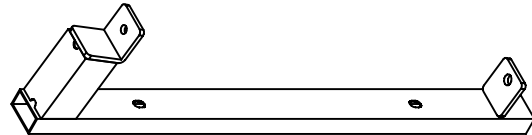
J [1PCS]



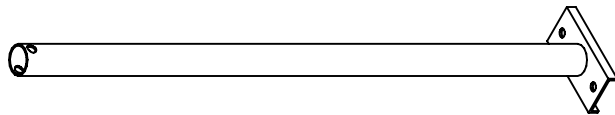
C [1PCS]



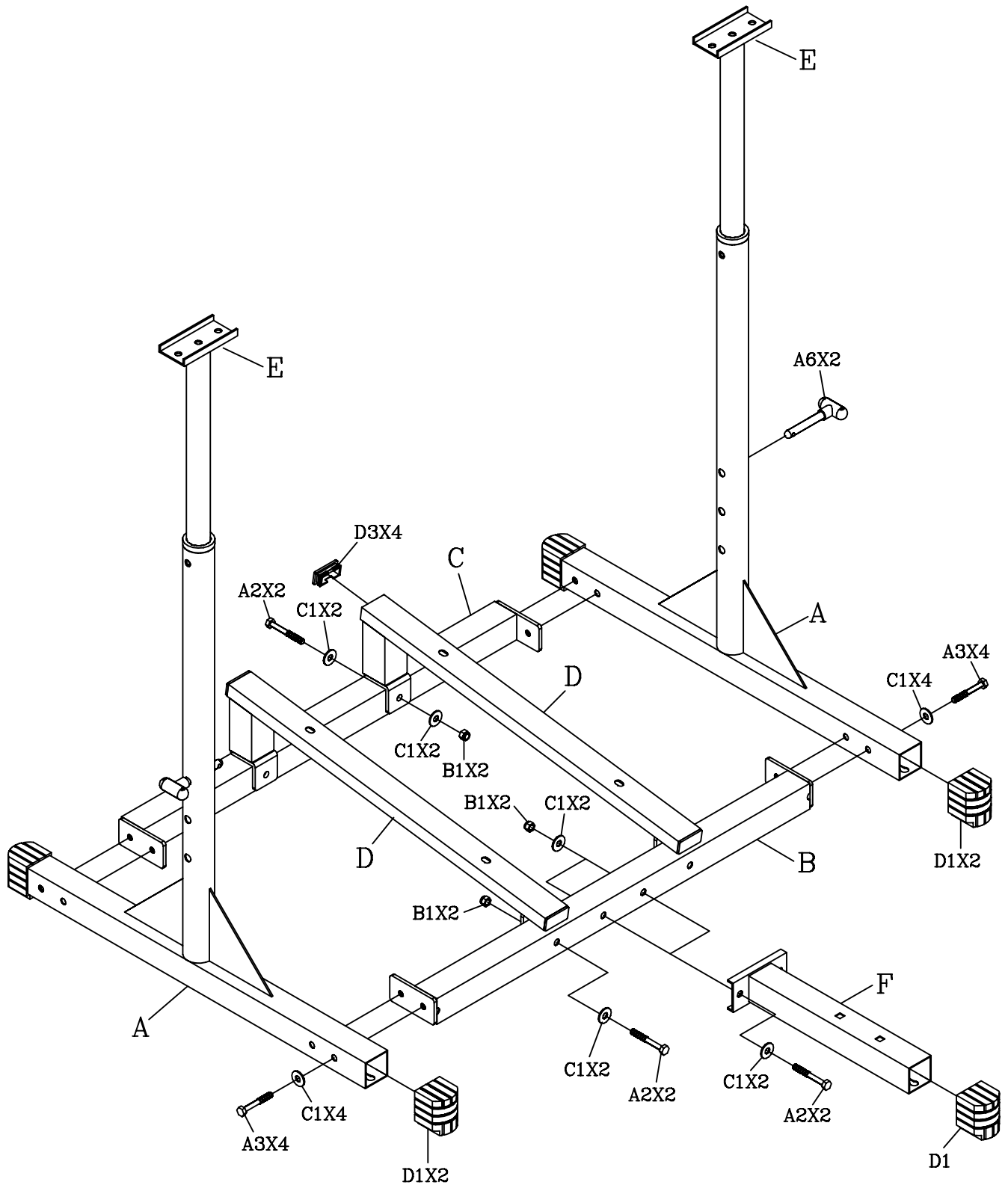
D [2PCS]



E [2PCS]



PVLP-156



PVLP-156

